



Since 1983

GUIL®

MATERIAL LIFTS

Compact designs for easy manoeuvrability

Maximum Safety & Durability

For outdoor and Indoor use

Timesaving > 100% Productivity

Fast and easy set-up



MADE IN SPAIN

www.guil-lifters.com

GUIL® Engineering for Lifting Loads

GUIL is a Spanish manufacturer with over 35 years of experience in the metal industry, specialised in the design and production of IMaterial Lifting Towers for industrial use (for maintenance, installation and construction companies), which are characterised as being highly innovative, efficient and safe.

Our head office is located at our premises in L'Alcúdia, a town that is only 30 km from the region's capital, Valencia (Spain) with more than 5000 m² for our design and project offices, our prototype and testing workshops, our factory and machinery areas (cutting, welding, painting, assembly etc.), quality control department, warehouse and packing departments, sales and marketing departments and our customer service department.

At the heart of our company is our technical team of engineers who are dedicated to developing lifting towers and wind-up stands of the highest quality and efficiency, and our sales and post-sale staff who offer a fast, competent and professional customer service.

We manufacture over 30 models of lifting towers with compact designs which offer the user a safe and practical option to lift many types of loads. Thanks to this wide range of models and their versatility for use in so many different tasks, along with our adaptors designed for functionality, our towers can be used in numerous fields and are well known for their high quality and durability.

Since 1983 GUIL has experienced fast and constant evolution and growth, quickly adapting to the ever changing market requirements and continuously improving our manufacturing systems. Thanks to our large distributor network over the 5 continents and our presence at the main national and international trade shows GUIL export just over 89% of their total production to over 90 countries worldwide.

Choose a model and Lift your load

GUIL manufactures Material lifters that offer:

- Maximum stability, safety and resistance. Maximum Safety & Durability
- Timesaving > 100% Productivity
- Lifts of small size – Easy to load in vehicles
- Greater manoeuvrability for an easy, safe and convenient Lift operation.
- Fast and easy set-up with no tools required. There are no loose parts
- Compact and lightweight designs for easy handling. One person operation
- Domestic and industrial applications. Indoor & outdoor uses
- Maximum versatility. A wide range of accessories & adapters available to fulfil all lifting needs
- Portable designs for easy transportation and storage in small places. Corridor and single-door access
- Sturdy steel base (Epoxy coated for outside uses) with non-marring castors
- Made in Spain – 100 % Service. Availability of all accessories & spare parts!
- Brake winches that lock the load in place when handle/s is/are released.
- Manual winches provided with one or two removable handles for easy lift storage.
- Lifts are equipped with three Safety Systems to guarantee maximum reliability (triple margin of safety).
- Aluminium and steel sturdy but light construction designed to lift, position and install a large variety of materials.
- Reversible forks for added height and better load positioning.
- All ranges of Lifts comply with the European standards guaranteeing maximum safety and resistance.



GUIL - Innovative ideas in Lifting Engineering



BC-06/H
Loading platform
45 x 45 cm
(NOT INCLUDED)



ELC-700

Material Lifts

TECHNICAL SPECIFICATIONS

Maximum height	3.30 m
Maximum load	85 Kg
Working height	1.70 m
Net weight	12.80 Kg
Minimum load	10 Kg
Working base span	Ø1550 mm
Folded dimensions	260x320x1700 mm
Material	Steel
Adaptors	Ø35 mm
Complies with Standards DGUV Regulation 17 & 18, DGUV Rule 115-002 DIN 56950-1, 2006/42/CE	



ADAPTORS & ACCESSORIES ELC

LOAD TRAYS



BC-02/H
800 x 400 mm



BC-06/H
450 x 450 mm



ALUMINIUM **BC-09/H**
800 x 400 mm



ALUMINIUM **BC-05/H**
450 x 435 x 140 mm



ALUMINIUM **BC-07/H**
450 x 435 x 140 mm



BC-11/H

AWNING

PIPE CRADLE

CV-10/H



FLOOD-LIGHTS ADAPTORS



FCA-04





BC-02/H
Loading platform
80 x 40 cm
(NOT INCLUDED)



Ø 35 mm
Top spigot



R2-710
Set of 3 castors
(Not included)



ELC-710

Material Lifts

TECHNICAL SPECIFICATIONS

Maximum height	4.00 m
Maximum load	100 Kg
Working height	1.65 m
Net weight	20.5 Kg
Minimum load	10 Kg
Working base span	- Ø1.14m / +1.65m
Folded dimensions	260x330x1650 mm
Material	Steel
Adaptors	Ø35 mm

Complies with Standards

DGUV Regulation 17 & 18, DGUV Rule 115-002
DIN 56950-1, 2006/42/CE



ADAPTORS & ACCESSORIES ELC

LOAD TRAYS



BC-02/H
800 x 400 mm



BC-06/H
450 x 450 mm



ALUMINIUM BC-09/H
800 x 400 mm



ALUMINIUM BC-05/H
450 x 435 x 140 mm



ALUMINIUM BC-07/H
450 x 435 x 140 mm



BC-11/H

AWNING

PIPE CRADLE



CV-10/H

WHEELS

R2-710



Set of 3 wheels

GROUND FIXING



CSP-01

FLOOD-LIGHT ADAPTOR



FCA-04



BC-02/M
Loading platform
80 x 40 cm
(NOT INCLUDED)



(Castors not included)



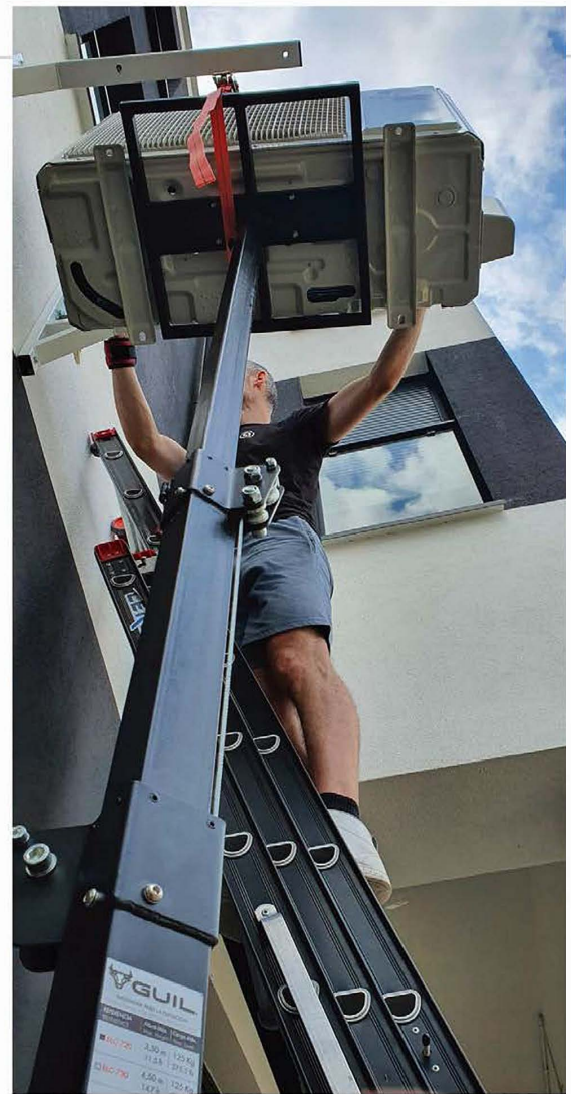
ELC-720/I

Material Lifters

TECHNICAL SPECIFICATIONS

Maximum height	3.50 m
Maximum load	125 Kg
Working height	1.35 m
Net weight	23.5 Kg
Working base span	Ø1540 mm
Folded dimensions	270x280x1350 mm
Minimum load	10 Kg
No of sections	3
For adaptors	Ø35 mm
Material	Steel

Complies with Standards
DGUV Regulation 17 & 18, DGUV Rule 115-002
DIN 56950-1, 2006/42/CE



ADAPTORS & ACCESSORIES ELC

LOAD TRAYS



BC-02/M
800 x 400 mm



BC-06/M
450 x 450 mm



ALUMINIUM **BC-09/M**
800 x 400 mm



ALUMINIUM **BC-05/M**
450 x 435 x 140 mm



ALUMINIUM **BC-07/M**
450 x 435 x 140 mm



AWNING
BC-11/M

PIPE CRADLE



CV-10/M

WHEELS



R2-720

Set of 4 wheels

GROUND FIXING



CSP-02

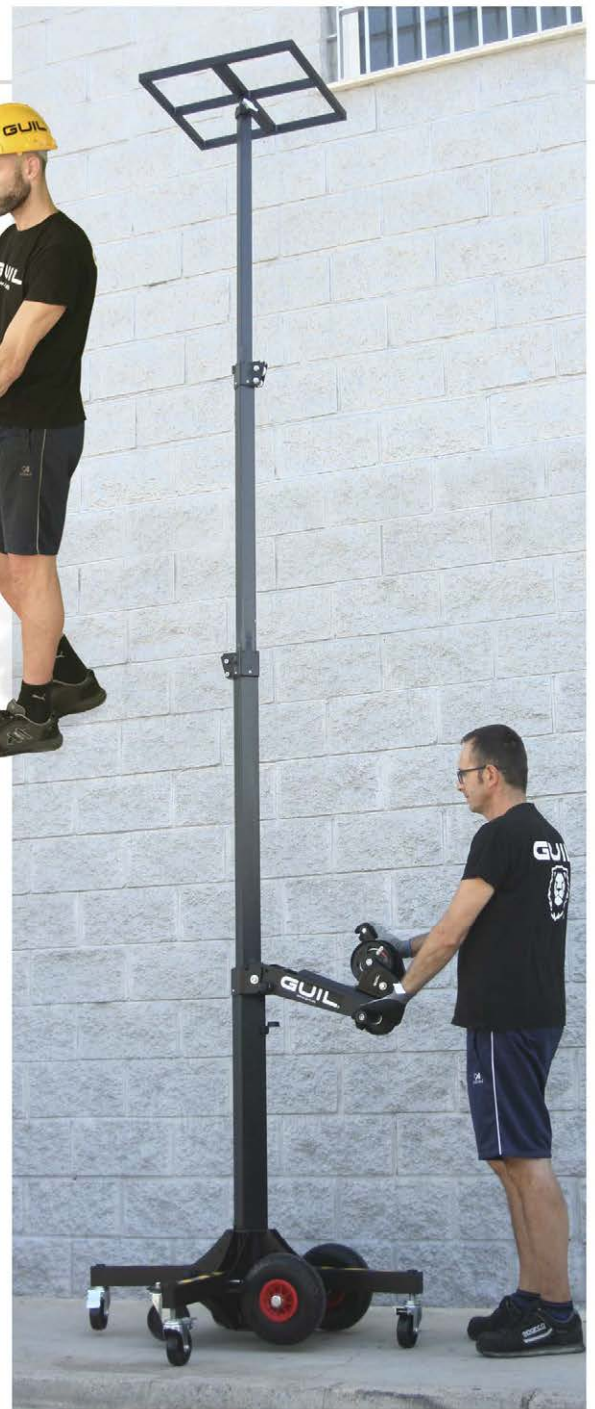
FLOOD-LIGHT ADAPTORS



ACT-07

FCA-06

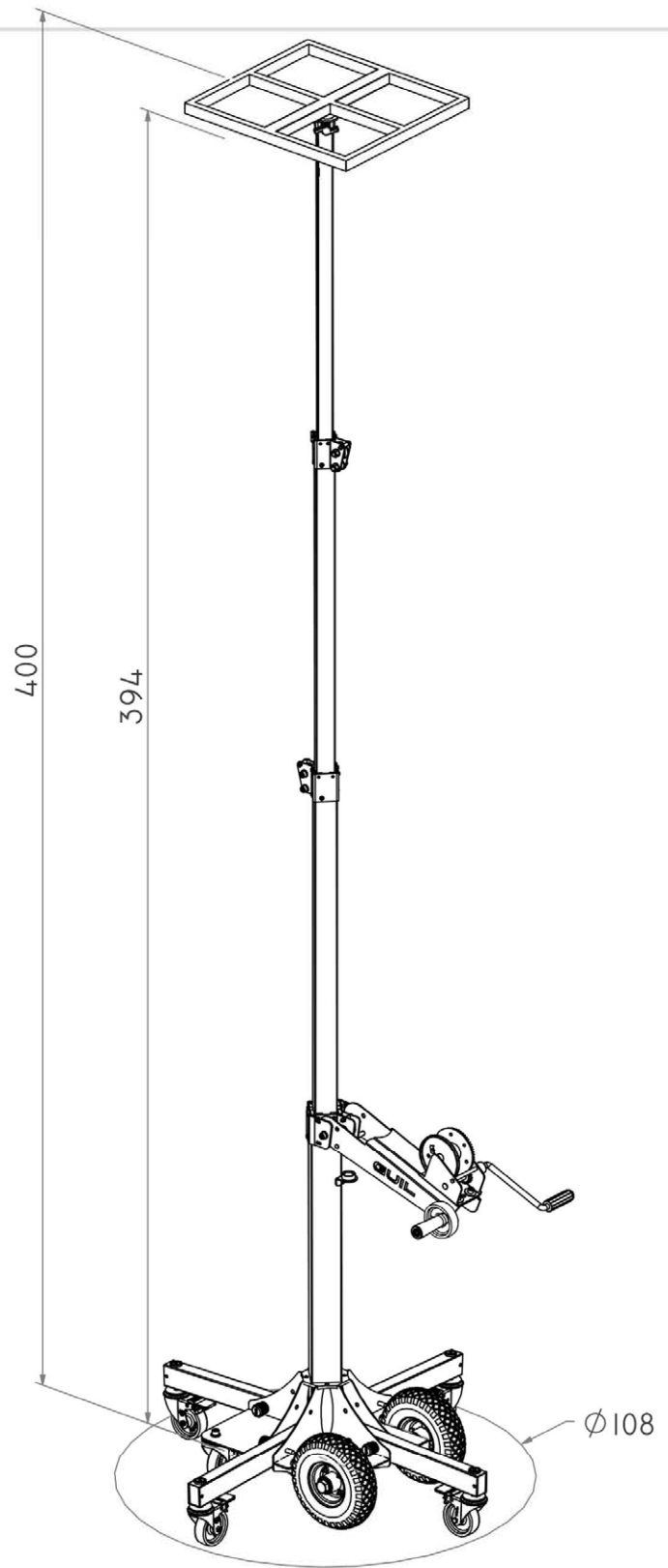
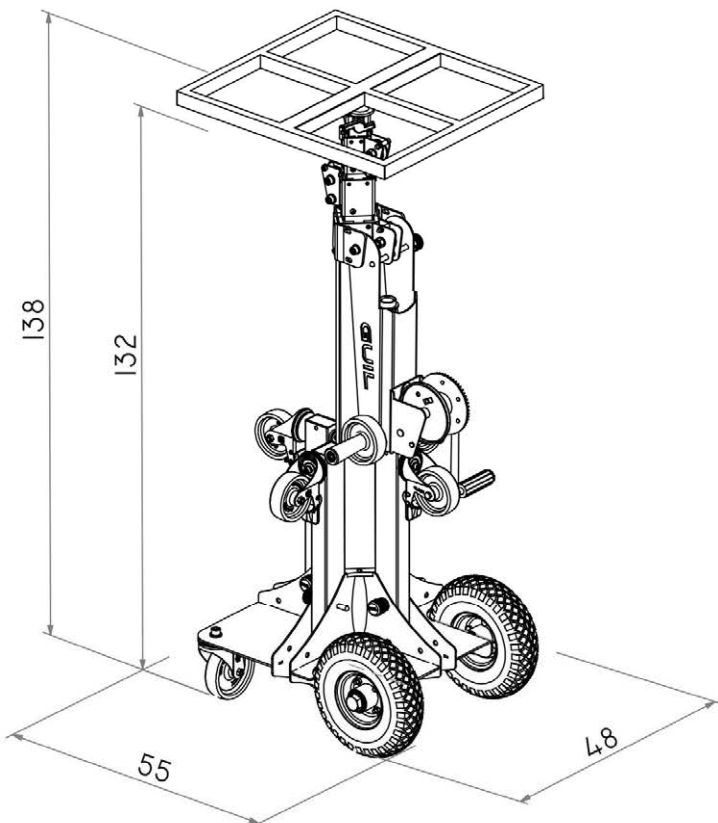
ELC-725 Material Lifts



ELC-725 Material Lifts

TECHNICAL SPECIFICATIONS

Maximum Height	3.94 m
Maximum Height with platform	4.00 m
Maximum Load	125 Kg
Minimum Height	1.32 m
Minimum Height with platform	1.38 m
Net Weight	47 Kg
Footprint	Ø1.08 m
Folded Dimensions	40 x 55 x 132 cm
Material	Steel
BC-10 Platform	Included
Weight	4 kg
Dimensions	55 x 50 cm
Male Adaptor	Ø35 mm



MAIN FEATURES:

- > Height-adjustable legs
- > Foldable Legs with wheels
- > Fitted with 2 all-terrain wheels

PACKAGING

Dimensions (L x W x H) 60 x 55 x 140 cm

Gross Weight 55 kg

ELC-725/D

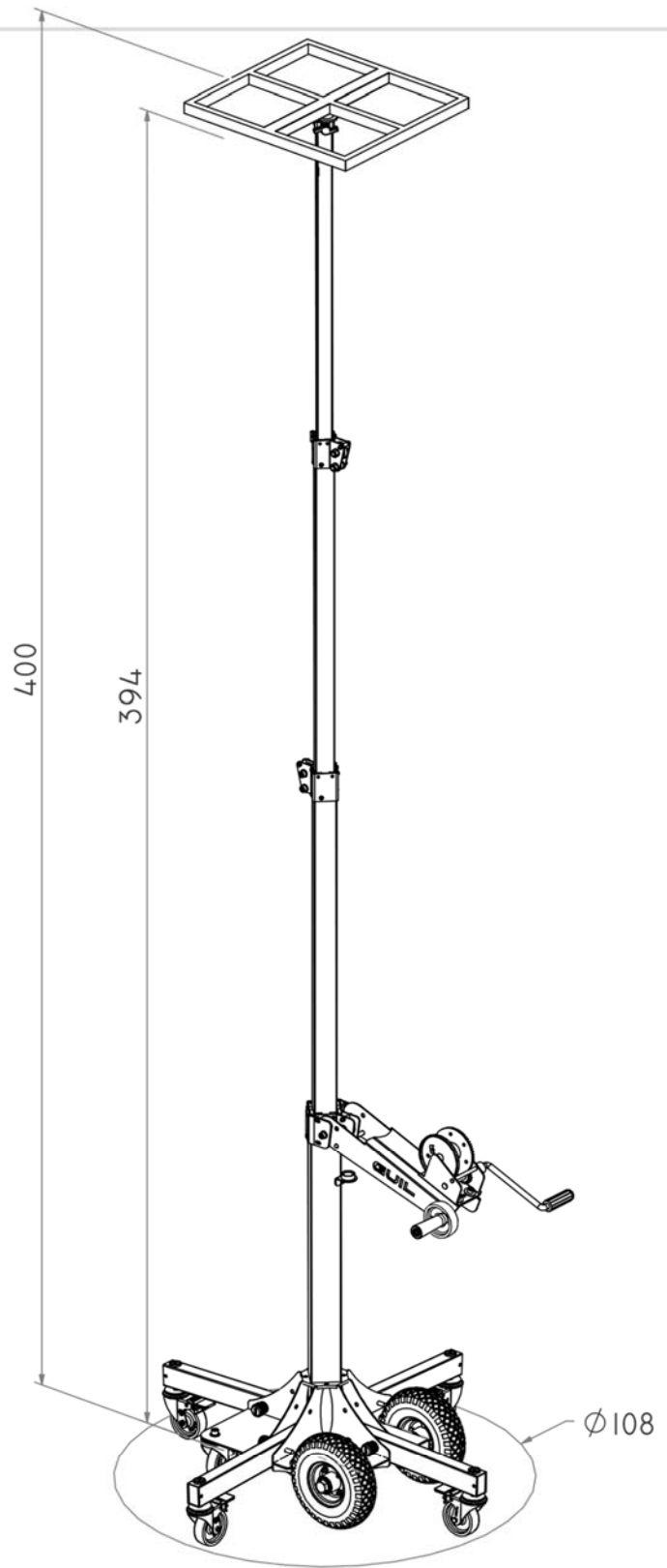
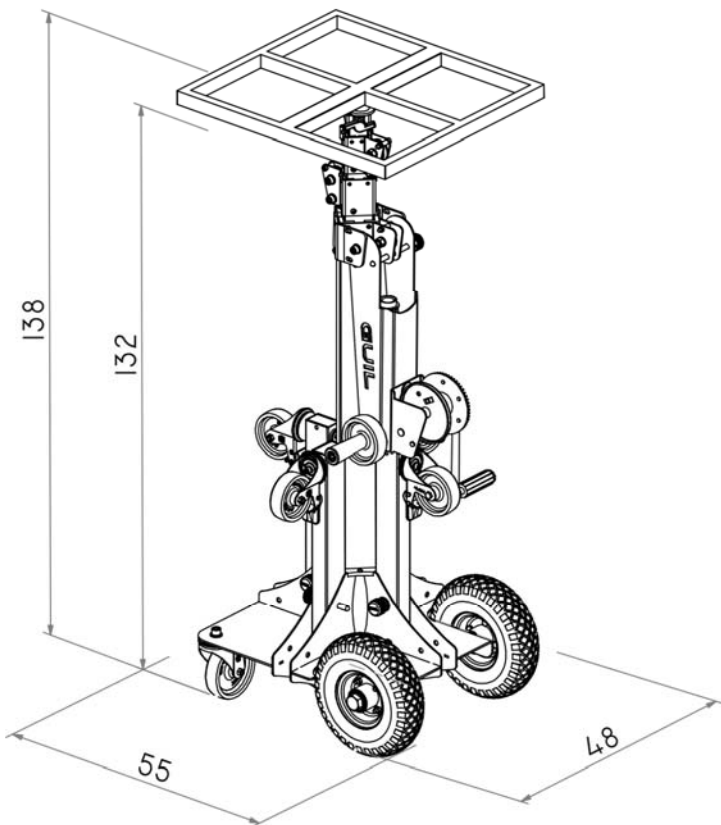
Material Lifts



ELC-725/D Material lifts

TECHNICAL SPECIFICATIONS

Maximum Height	3.94 m
Maximum Height with platform	4.00 m
Maximum Load	125 Kg
Minimum Height	1.32 m
Minimum Height with platform	1.38 m
Net Weight	47 Kg
Footprint	Ø1.08 m
Folded Dimensions	40 x 55 x 132 cm
Material	Steel
BC-10 Platform	Included
Weight	4 kg
Dimensions	55 x 50 cm
Male Adaptor	Ø35 mm



MAIN FEATURES:

- > Double-handled winch
- > Height-adjustable legs
- > Foldable Legs with wheels
- > Fitted with 2 all-terrain wheels

PACKAGING

Dimensions (L x W x H) 60 x 55 x 140 cm

Gross Weight 55 kg



ELC-730/R

Material Lifts

TECHNICAL SPECIFICATIONS

Maximum height	4.58 m
Maximum load	125 Kg
Folded height	1.45 m
Net weight	37 Kg
Working base span	Ø1130 mm
Folded dimensions	300x380x1450 mm
Minimum load	10 Kg
No of sections	4
For adaptors	Ø35 mm
Material	Steel
Complies with Standards DGUV Regulation 17 & 18, DGUV Rule 115-002 DIN 56950-1, 2006/42/CE	



ADAPTORS & ACCESSORIES ELC

LOAD TRAYS



MARQUEES

PIPE CRADLE

WHEELS

FLOOD-LIGHT ADAPTORS





ELC-750

Material Lifts

TECHNICAL SPECIFICATIONS

Maximum height	4.50 m
Maximum load	150 Kg
Working height	1.53 m
Net weight	49 Kg
Minimum load	10 Kg
Working base span	Ø 2.08 m
Folded Dimensions	410x410x1535 mm
Material	Steel
Adaptors	Ø35 mm
Complies with Standards DGUV Regulation 17 & 18, DGUV Rule 115-002 DIN 56950-1, 2006/42/CE	



ADAPTORS & ACCESSORIES ELC

LOAD TRAYS



BC-02/M
800 x 400 mm



BC-06/M
450 x 450 mm



ALUMINIUM

BC-09/M
800 x 400 mm



BC-05/M ALUMINIUM
450 x 435 x 140 mm

Folded Dimensions:
450 x 435 x 150 mm



ALUMINIUM
BC-07/M
450 x 435 x 140 mm

Folded Dimensions:
450 x 230 x 150 mm



PIPE CRADLE



CV-10/M

AWNING



BC-11/M

FLOOD-LIGHT ADAPTOR



FCA-06

TORO A-Range

Material Lifts



	TORO A-101/C	TORO A-102/C
+↑	2,90 m 9.5 ft	4,10 m 13.5 ft
↕ kg	170 kg 375 lb	170 kg 375 lb
-↓	1,75 m 5.7 ft	1,75 m 5.7 ft
kg	67,5 Kg 149 lb	77,5 Kg 171 lb

TORO MATERIAL LIFTS ARE EQUIPPED WITH TWO SAFETY SYSTEMS



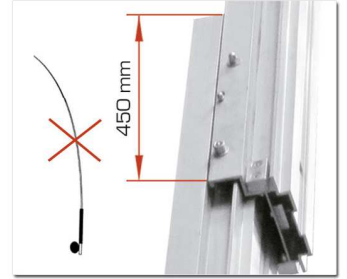
Auto-brake winches.
CE Machinery Directives



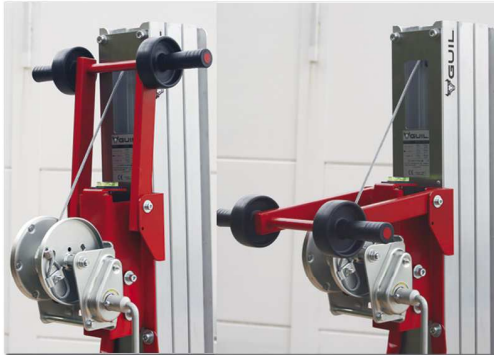
Internal Pendulum
Brake System (IPB)



Mast Section Unblocking
System (MSU)



More mast overlap.
Prevent fishing rod effect



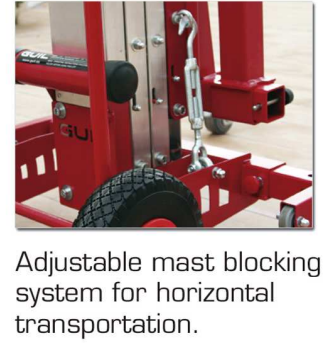
Adjustable manoeuvring handles
with wheels.



Reinforced forks included.
(Detachable). Reversible &
Adjustable design.



2 Stabiliser braces
for greater lift stability.



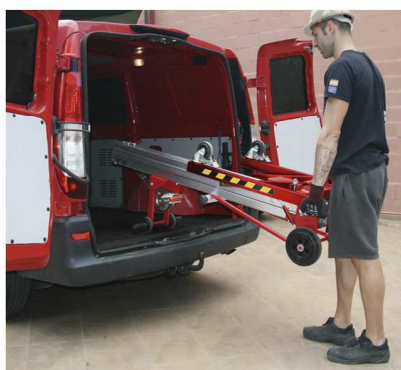
Adjustable mast blocking
system for horizontal
transportation.



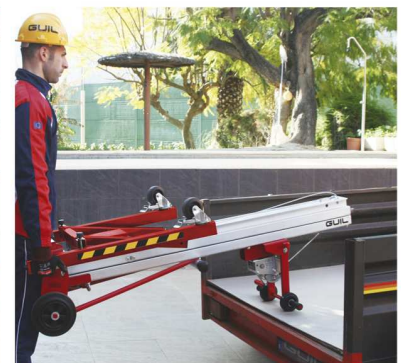
Adjustable base

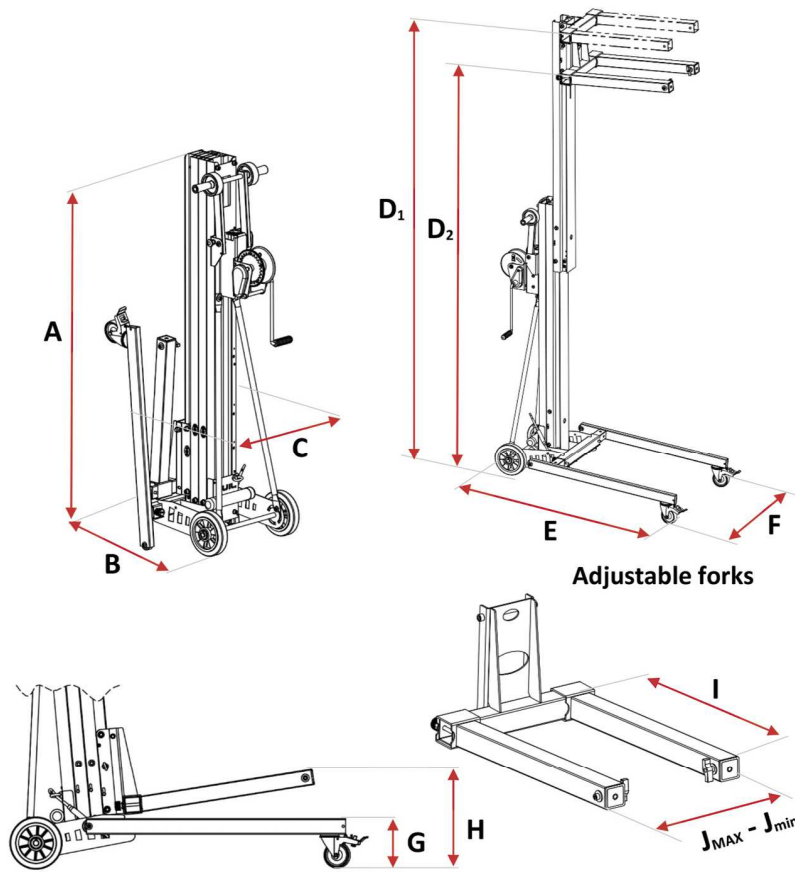


Large wheels for easy
manoeuvring



COMPACT DESIGNS





TORO A - Range		TORO A-101/C	TORO A-102/C
STOWED			
Height (cm/ft)	A	175 / 5.7	175 / 5.7
Length (cm/ft)	B	75 / 2.5	75 / 2.5
Width (cm/ft)	C	64 / 2.1	64 / 2.1
WORKING MEASUREMENTS			
Maximum Forks up height (cm/ft)	D ₁	290 / 9.5	410 / 13.4
	Forks down	D ₂	265 / 8.6
Length (cm/ft)	E	133 / 4.3	133 / 4.3
Maximum width (cm/ft)	F _{MAX}	82 / 2.7	82 / 2.7
Minimum width (cm/ft)	F _{min}	64 / 2.1	64 / 2.1
Leg height (cm/ft)	G	19.5 / 0.64	19.5 / 0.64
Load height (cm/ft)	H	28 / 0.9	28 / 0.9
FORKS			
Length (cm/in)	I	66 / 26	66 / 26
Maximum width (cm/in)	J _{MAX}	43 / 16.9	43 / 16.9
Minimum width (cm/in)	J _{min}	30.5 / 12	30.5 / 12
Number of sections		2	3
Maximum load (Kg/lbs)		170 / 375	170 / 375
Weight (Kg/lbs)		67.5 / 149	77.5 / 171





	TORO B-201/C	TORO B-201 PLUS	TORO B-202/C	TORO B-202 PLUS	TORO B-203/C
+↑	4,00 m 13.1 ft	5,10 m 16.7 ft	5,15 m 16.9 ft	6,60 m 21.6 ft	6,30 m 20.7 ft
⬇️/kg	250 kg 551 lb	250 kg 551 lb	230 kg 507 lb	230 kg 507 lb	220 kg 485 lb
-↓	1,68 m 5.5 ft	1,97 m 6.4 ft	1,68 m 5.5 ft	1,97 m 6.4 ft	1,68 m 5.5 ft
⬆️/kg	114 Kg 251 lb	124 Kg 273 lb	124 Kg 273 lb	140 Kg 309 lb	134 Kg 295 lb

TORO B-Range Details

TORO MATERIAL LIFTS ARE EQUIPPED WITH TWO SAFETY SYSTEMS



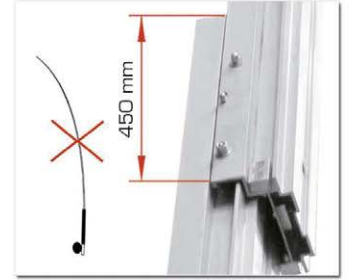
Auto-brake winch.
CE Machinery Directives



Internal Pendulum
Brake System (IPB)



Mast Section Unlocking
System (MSU)



More mast overlap.
Prevents fishing rod effect



Adjustable manoeuvring handle
with wheels included.



Reinforced forks included.
(Detachable). Reversible
& Adjustable design.



2 Stabiliser braces for
greater lift stability.



Adjustable mast blocking
system for horizontal trans-
portation.



Spirit level



Folding side legs included

Legs can be inserted in
the front or back of the
tower for positioning close
to walls.



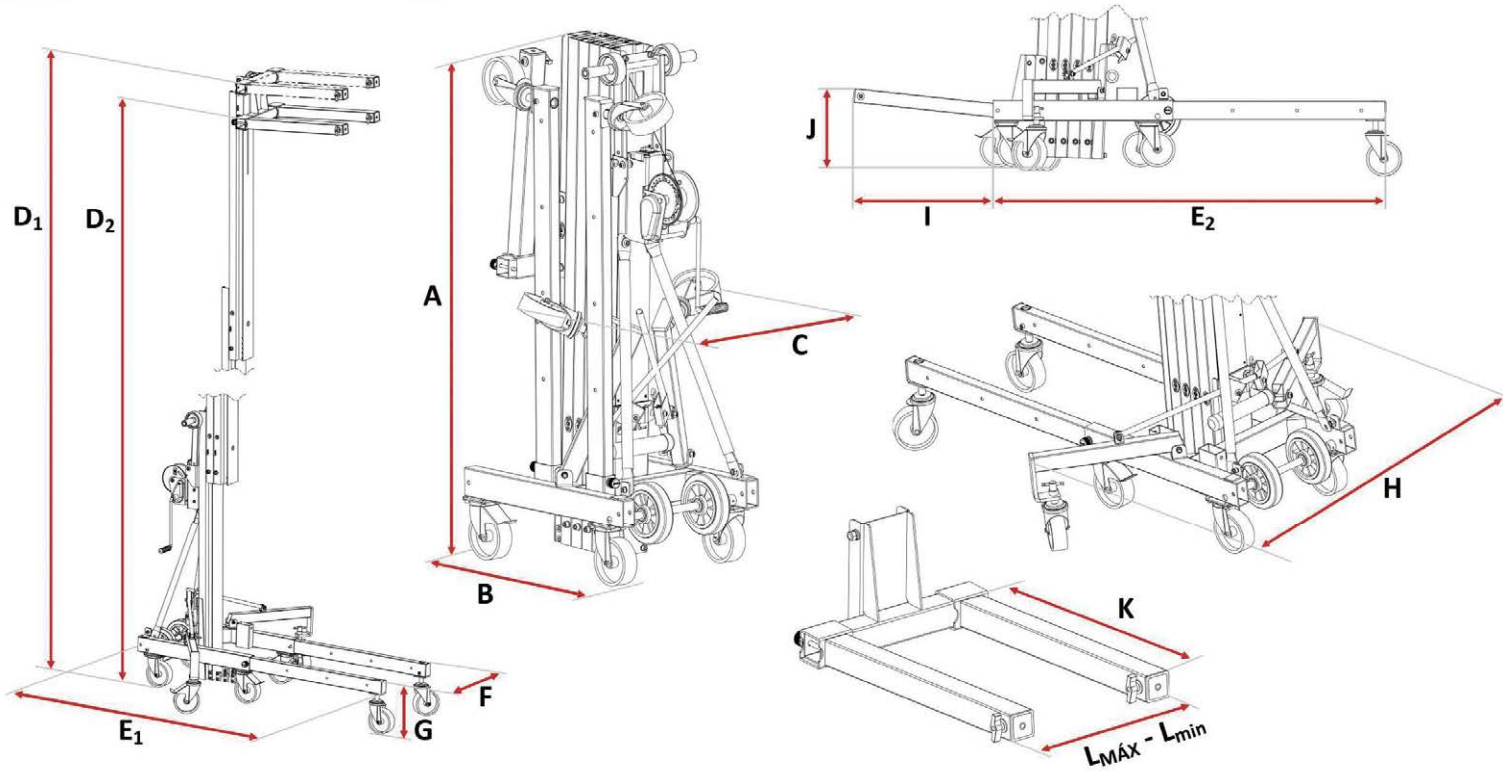
Adjustable legs

Compact designs and 12 wheels included for
easy manoeuvring (Vertically and horizontally)



Ø150 mm adjustable wheels
for perfect levelling.





TORO B - Range		TORO B-201/C	TORO B-201 PLUS	TORO B-202/C	TORO B-202 PLUS	TORO B-203/C	
STOWED							
Height (cm/ft)	A	168 / 5.5	197 / 6.4	168 / 5.5	197 / 6.4	168 / 5.5	
Length (cm/ft)	B	81 / 2.7	81 / 2.7	81 / 2.7	81 / 2.7	81 / 2.7	
Width (cm/ft)	C	65 / 2.1	65 / 2.1	65 / 2.1	65 / 2.1	65 / 2.1	
WORKING MEASUREMENTS							
Maximum height (cm/ft)	Forks up	D ₁	400 / 13.1	510 / 16.7	515 / 16.9	660 / 21.7	630 / 20.7
	Forks down	D ₂	380 / 12.5	490 / 16.1	495 / 16.2	640 / 21	610 / 20
Length (cm/ft)	Front legs	E ₁	172 / 5.6	172 / 5.6	172 / 5.6	172 / 5.6	172 / 5.6
	Back legs	E ₂	169 / 5.5	169 / 5.5	169 / 5.5	169 / 5.5	169 / 5.5
Width (cm/ft)	F	60 / 2	60 / 2	60 / 2	60 / 2	60 / 2	
Leg height (cm/ft)	G	28 / 0.92	28 / 0.92	28 / 0.92	28 / 0.92	28 / 0.92	
Width with stabilisers unfolded (cm/ft)	H	138 / 4.5	138 / 4.5	138 / 4.5	138 / 4.5	138 / 4.5	
Distance to the wall (cm/ft)	I	57 / 1.9	52 / 1.7	57 / 1.9	52 / 1.7	57 / 1.9	
Load height (cm/ft)	J	30 / 1	35 / 1.2	30 / 1	35 / 1.2	30 / 1	
FORKS							
Length (cm/in)	K	66 / 26	66 / 26	66 / 26	66 / 26	66 / 26	
Maximum width (cm/in)	L _{MAX}	43.5 / 17.1	43.5 / 17.1	43.5 / 17.1	43.5 / 17.1	43.5 / 17.1	
Minimum width (cm/in)	L _{min}	29 / 11.4	29 / 11.4	29 / 11.4	29 / 11.4	29 / 11.4	
Number of sections		3	3	4	4	5	
Maximum load (Kg/lbs)		250 / 551	250 / 551	230 / 507	230 / 507	220 / 485	
Weight (Kg/lbs)		114 / 251	124 / 273	124 / 273	140 / 309	134 / 295	



	TORO C-301/C	TORO C-302/C	TORO C-303	TORO C-304/C	TORO C-305	TORO C-306
+↑	3,85 m 12.6 ft	5,00 m 16.4 ft	5,00 m 16.4 ft	6,00 m 19.7 ft	6,50 m 21.3 ft	8,00 m 26.2 ft
↕ kg	350 kg 772 lb	330 kg 727 lb	350 kg 772 lb	320 kg 705 lb	320 kg 705 lb	300 kg 661 lb
-↓	1,61 m 5.3 ft	1,61 m 5.3 ft	1,99 m 6.5 ft	1,61 m 5.3 ft	1,99 m 6.5 ft	1,99 m 6.5 ft
kg	153 Kg 337 lb	166 Kg 366 lb	160 Kg 353 lb	180 Kg 397 lb	178 Kg 392 lb	195 Kg 430 lb

TORO MATERIAL LIFTS ARE EQUIPPED WITH TWO SAFETY SYSTEMS



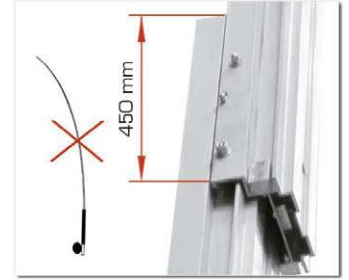
Auto-brake winch.
CE Machinery Directives



Internal Pendulum
Brake System (IPB)



Mast Section Unblocking
System (MSU)



More mast overlap.
Prevents fishing rod effect



Adjustable manoeuvring
handle with Ø200 mm
wheels included.
(3 positions)



Reinforced forks included.
(Detachable). Reversible &
Adjustable design.



2 Stabiliser braces for
greater lift stability.



Adjustable mast blocking
system for horizontal transpor-
tation.



Spirit
level

Folding side
legs included



Legs can be inserted in the front or
back of the tower for positioning
close to walls.



Adjustable legs

Compact designs and 12 wheels included for
easy manoeuvring (Vertically and horizontally)

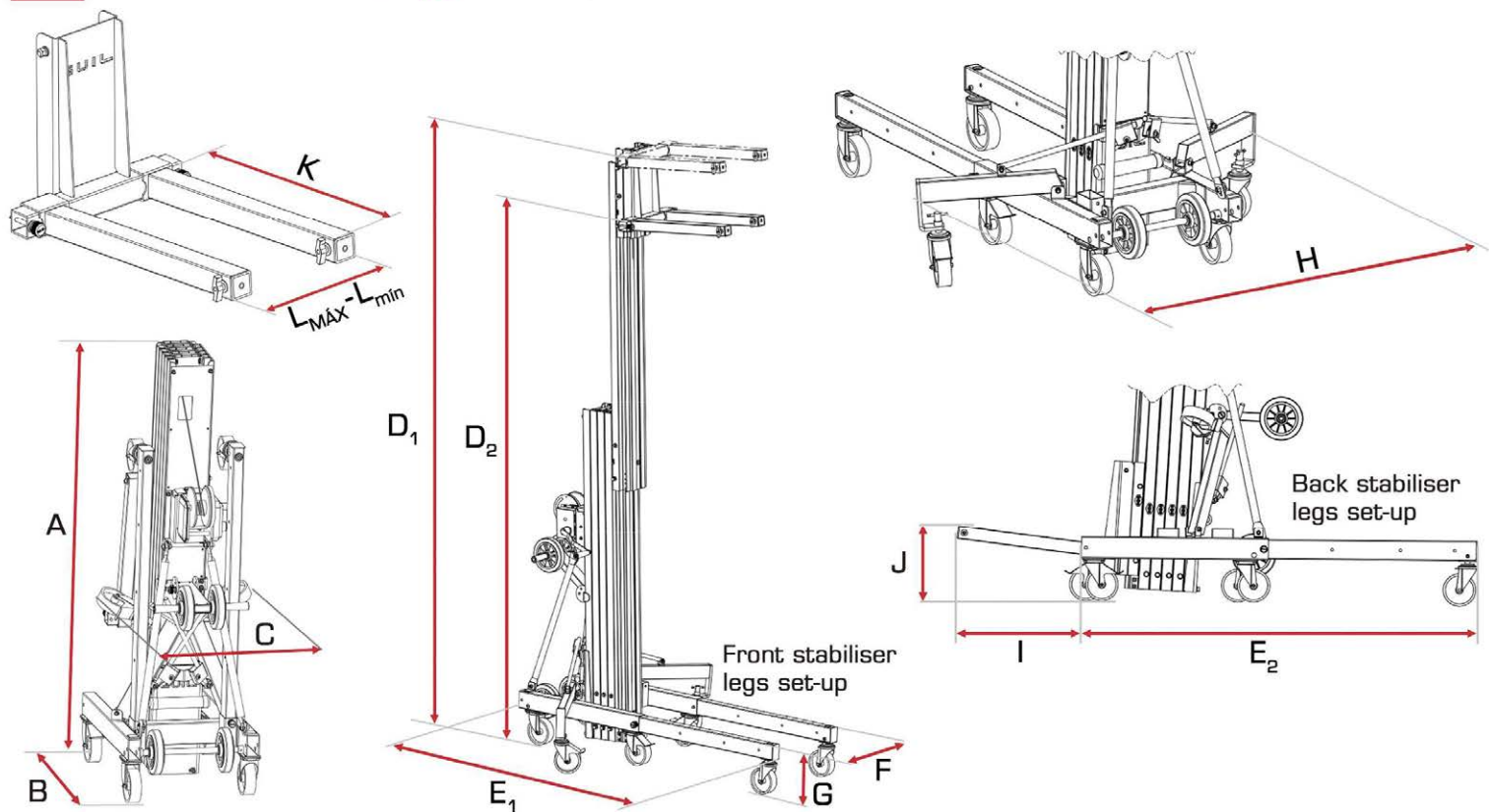


Ø150 mm adjustable
wheels for perfect
levelling.



TORO C-Range

Specifications



TORO C - Range		TORO C-301/C	TORO C-302/C	TORO C-303	TORO C-304/C	TORO C-305	TORO C-306	
STOWED								
Height (cm/ft)	A	161 / 5.3	161 / 5.3	199 / 6.5	161 / 5.3	199 / 6.5	199 / 6.5	
Length (cm/ft)	B	95 / 3.1	95 / 3.1	95 / 3.1	95 / 3.1	95 / 3.1	95 / 3.1	
Width (cm/ft)	C	66 / 2.1	66 / 2.1	66 / 2.1	66 / 2.1	66 / 2.1	66 / 2.1	
WORKING MEASUREMENTS								
Maximum height (cm/ft)	Forks up	D ₁	385 / 12.6	500 / 16.4	500 / 16.4	600 / 19.7	650 / 21.3	800 / 26.2
	Forks down	D ₂	343 / 11.3	458 / 15	458 / 15	558 / 18.3	608 / 19.9	758 / 24.9
Length (cm/ft)	Front legs	E ₁	192 / 6.3	192 / 6.3	192 / 6.3	192 / 6.3	192 / 6.3	192 / 6.3
	Back legs	E ₂	183 / 6	183 / 6	183 / 6	183 / 6	183 / 6	183 / 6
Width (cm/ft)		F	66 / 2.1	66 / 2.1	66 / 2.1	66 / 2.1	66 / 2.1	66 / 2.1
Leg height (cm/ft)		G	28 / 0.9	28 / 0.9	28 / 0.9	28 / 0.9	28 / 0.9	28 / 0.9
Width with stabilisers unfolded (cm/ft)		H	147 / 4.8	147 / 4.8	147 / 4.8	147 / 4.8	147 / 4.8	147 / 4.8
Distance to the wall (cm/ft)		I	57 / 1.9	57 / 1.9	57 / 1.9	57 / 1.9	57 / 1.9	57 / 1.9
Load height (cm/ft)		H	33 / 1.1	33 / 1.1	33 / 1.1	33 / 1.1	33 / 1.1	33 / 1.1
FORKS								
Length (cm/in)		K	66 / 26	66 / 26	66 / 26	66 / 26	66 / 26	66 / 26
Maximum width (cm/in)		L _{MAX}	47.5 / 18.7	47.5 / 18.7	47.5 / 18.7	47.5 / 18.7	47.5 / 18.7	47.5 / 18.7
Minimum width (cm/in)		L _{MIN}	33.5 / 13.2	33.5 / 13.2	33.5 / 13.2	33.5 / 13.2	33.5 / 13.2	33.5 / 13.2
Number of sections			3	4	3	5	4	5
Maximum load (Kg/lbs)			350 / 772	330 / 728	350 / 772	320 / 705	320 / 705	300 / 661
Weight (Kg/lbs)			153 / 337	166 / 366	160 / 353	180 / 397	178 / 392	195 / 430



	TORO D-401	TORO D-402/C	TORO D-403/C	TORO D-404	TORO D-405/C	TORO D-406	TORO D-407
↑	3,55 m 11.6 ft	3,85 m 12.6 ft	5,00 m 16.4 ft	5,00 m 16.4 ft	6,00 m 19.7 ft	6,50 m 21.3 ft	8,00 m 26.2 ft
↕	440 kg 970 lb	420 kg 926 lb	400 kg 882 lb	420 kg 926 lb	350 kg 772 lb	400 kg 882 lb	350 kg 772 lb
↓	1,99 m 6.5 ft	1,61 m 5.3 ft	1,61 m 5.3 ft	1,99 m 6.5 ft	1,61 m 5.3 ft	1,99 m 6.5 ft	1,99 m 6.5 ft
Ⓚ	152 Kg 335 lb	162 Kg 357 lb	178 Kg 392 lb	171 Kg 377 lb	194 Kg 428 lb	190 Kg 419 lb	207 Kg 456 lb

TORO D-Range Details

TORO MATERIAL LIFTS ARE EQUIPPED WITH TWO SAFETY SYSTEMS



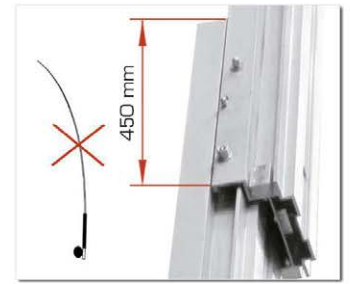
Auto-brake winch with double handle. CE Machinery Directives



Internal Pendulum Brake System (IPB)



Mast Section Unblocking System (MSU)



More mast overlap. Prevents fishing rod effect



Adjustable manoeuvring handle with Ø200 mm wheels included. (3 positions)



Reinforced forks included. (Detachable). Reversible & Adjustable design.



2 Stabiliser braces for greater lift stability.



Adjustable mast blocking system for horizontal transportation.



Spirit level



Legs can be inserted in the front or back of the tower for positioning close to walls.

Folding side legs included



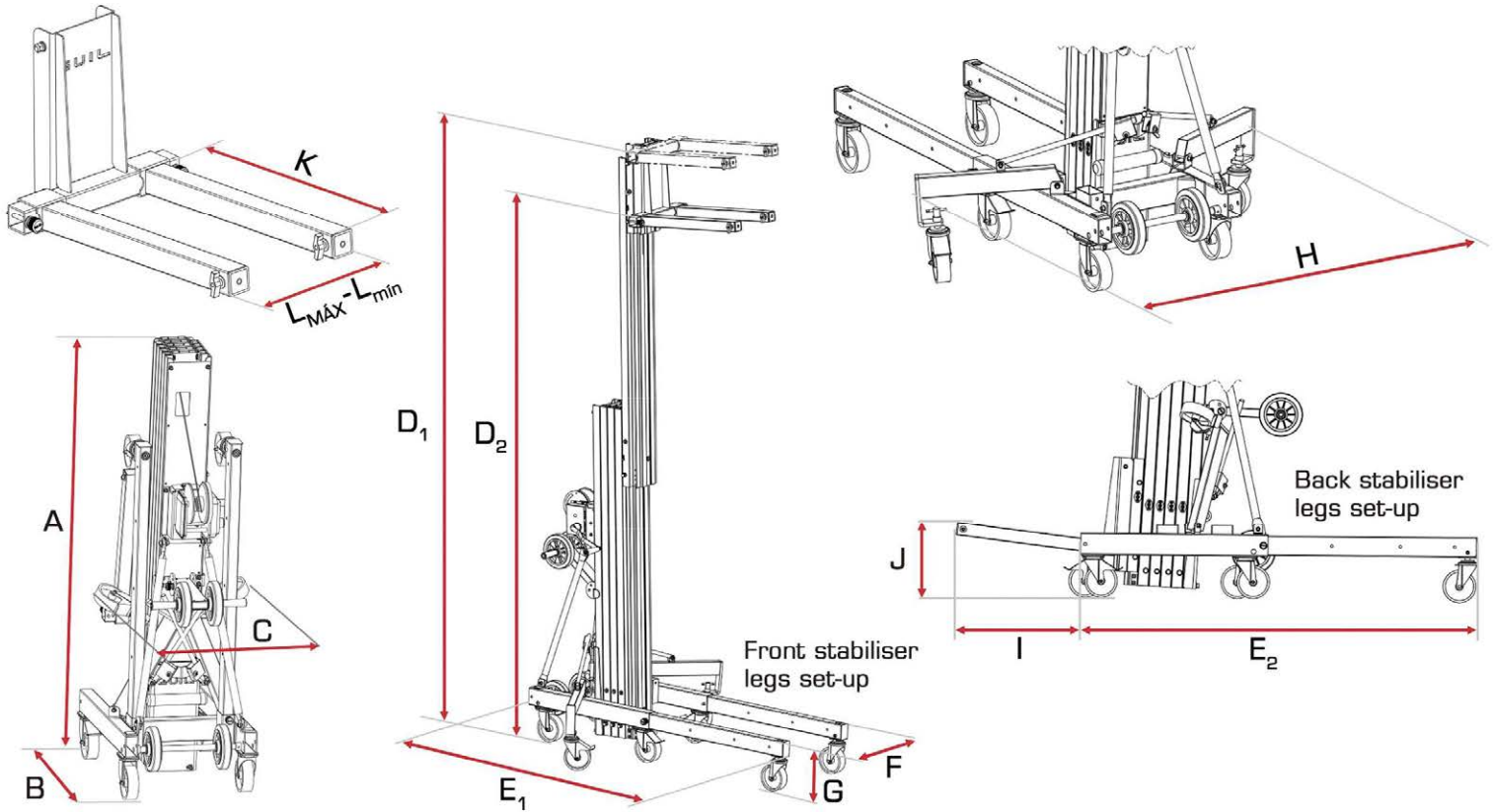
Adjustable legs

Compact designs and 12 wheels included for easy manoeuvring (Vertically and horizontally)



Ø150mm adjustable wheels for perfect levelling.

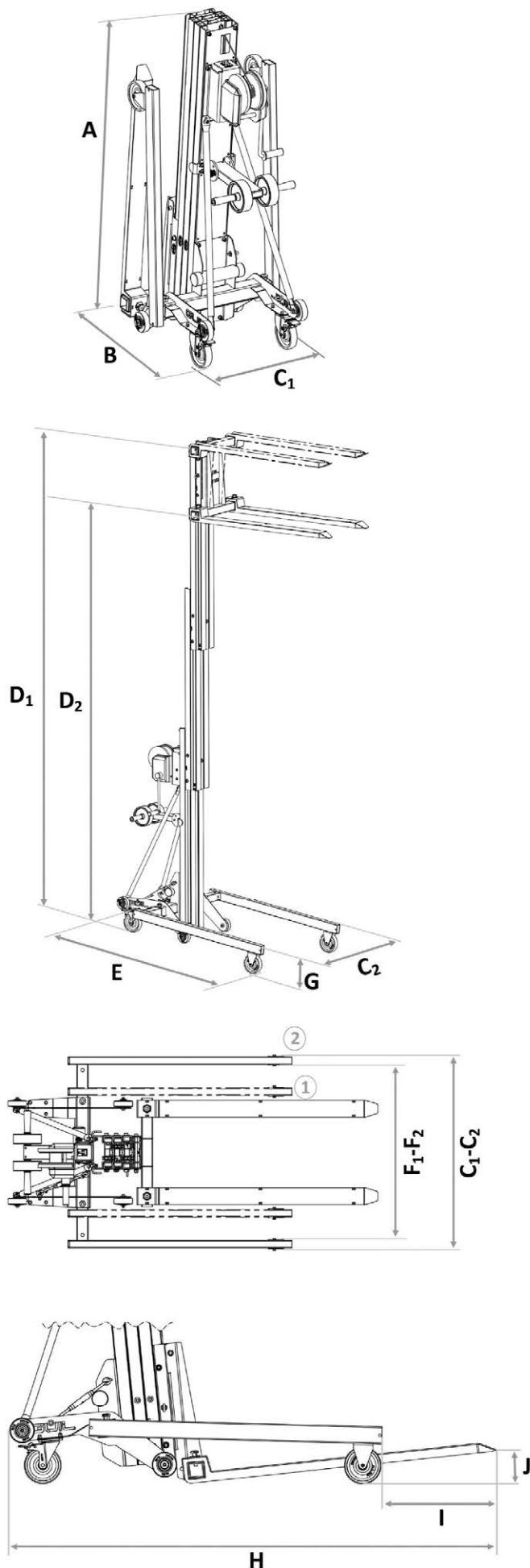




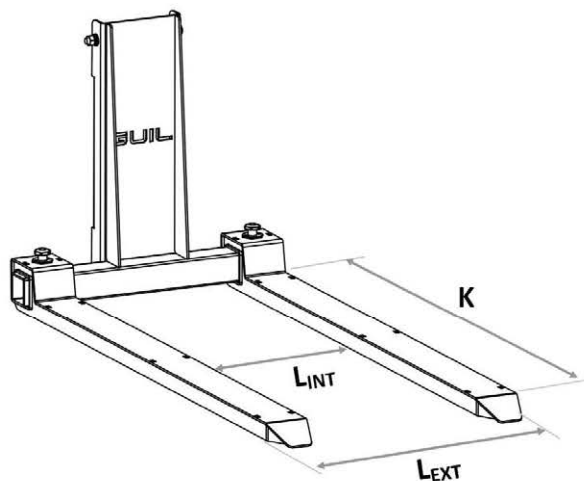
TORO D - Range		TORO D-401	TORO D-402/C	TORO D-403/C	TORO D-404	TORO D-405/C	TORO D-406	TORO D-407	
STOWED									
Height (cm/ft)	A	199 / 6.5	161 / 5.3	161 / 5.3	199 / 6.5	161 / 5.3	199 / 6.5	199 / 6.5	
Length (cm/ft)	B	95 / 3.1	95 / 3.1	95 / 3.1	95 / 3.1	95 / 3.1	95 / 3.1	95 / 3.1	
Width (cm/ft)	C	66 / 2.1	66 / 2.1	66 / 2.1	66 / 2.1	66 / 2.1	66 / 2.1	66 / 2.1	
WORKING MEASUREMENTS									
Maximum height (cm/ft)	Forks up	D ₁	355 / 11.7	385 / 12.6	500 / 16.4	500 / 16.4	600 / 19.7	650 / 21.3	800 / 26.2
	Forks down	D ₂	315 / 10.3	345 / 11.3	460 / 15.1	460 / 15.1	560 / 18.4	610 / 20	760 / 24.9
Length (cm/ft)	Front legs	E ₁	192 / 6.3	192 / 6.3	192 / 6.3	192 / 6.3	192 / 6.3	192 / 6.3	192 / 6.3
	Back legs	E ₂	183 / 6	183 / 6	183 / 6	183 / 6	183 / 6	183 / 6	183 / 6
Width (cm/ft)		F	66 / 2.1	66 / 2.1	66 / 2.1	66 / 2.1	66 / 2.1	66 / 2.1	66 / 2.1
Leg height (cm/ft)		G	28 / 0.9	28 / 0.9	28 / 0.9	28 / 0.9	28 / 0.9	28 / 0.9	28 / 0.9
Width with stabilisers unfolded (cm/ft)		H	147 / 4.8	147 / 4.8	147 / 4.8	147 / 4.8	147 / 4.8	147 / 4.8	147 / 4.8
Distance to the wall (cm/ft)		I	57 / 1.9	57 / 1.9	57 / 1.9	57 / 1.9	57 / 1.9	57 / 1.9	57 / 1.9
Load height (cm/ft)		J	33 / 1.1	33 / 1.1	33 / 1.1	33 / 1.1	33 / 1.1	33 / 1.1	33 / 1.1
FORKS									
Length (cm/in)		K	66 / 26	66 / 26	66 / 26	66 / 26	66 / 26	66 / 26	
Maximum width (cm/in)		L _{MAX}	47.5 / 18.7	47.5 / 18.7	47.5 / 18.7	47.5 / 18.7	47.5 / 18.7	47.5 / 18.7	
Minimum width (cm/in)		L _{min}	35.5 / 14	35.5 / 14	35.5 / 14	35.5 / 14	35.5 / 14	35.5 / 14	
Number of sections		2	3	4	3	5	4	5	
Maximum load (Kg/lbs)		440 / 970	420 / 926	400 / 882	420 / 926	350 / 772	400 / 882	350 / 772	
Weight (Kg/lbs)		152 / 335	162 / 357	178 / 392	171 / 377	192 / 423	190 / 419	207 / 456	



TECHNICAL SPECIFICATIONS



STOWED		cm / in	
Height	A	161 / 63	
Length	B	80 / 31	
Width	C ₁	69 / 27	
WORKING MEASUREMENTS		cm / in	
Maximum height	Forks up	D ₁	395 / 155
	Forks down	D ₂	345 / 136
Length	E	152 / 60	
Width	C ₂	102 / 40	
Base legs I.D.	Position 1	F ₁	61 / 24
	Position 2	F ₂	94 / 37
Leg height	G	23 / 9	
Total length	H	199 / 78	
Fork outthrust	I	47 / 18	
Load height	J	17 / 7	
FORKS		cm / in	
Length	K	109 / 43	
Outer width	L _{EXT}	56 / 22	
Inner width	L _{INT}	38 / 15	



HRT HORQUILLAS FORK



ACT-01 DISEÑO CURVO PIPE CRADLE



ACT-04 PLATAFORMA LOAD PLATFORM



***ACT-02** PROLONGADORES FORK EXTENSIONS



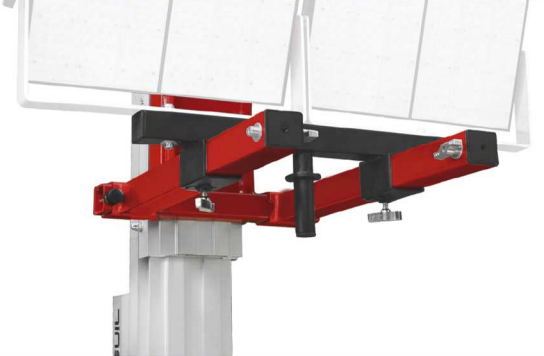
***ACT-05** PLUMA CON GANCHO LOAD HOOK ARM



ACT-06 PERSIANAS Y PUERTAS ENROLLABLES ROLLER DOOR & WINDOW SHUTTERS



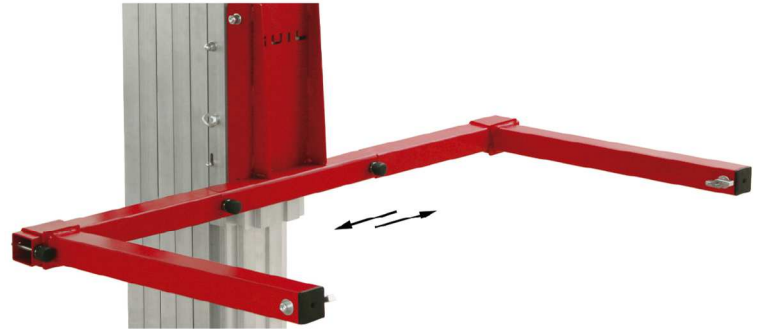
ACT-07 ADAPTADOR PARA ILUMINACIÓN FLOOD LIGHT ADAPTOR



***ACT-08** PLUMA CON 5 POSICIONES 5-POSITION BOOM ARM



***ACT-09** EXPANSOR DE HORQUILLAS FORK WIDENER



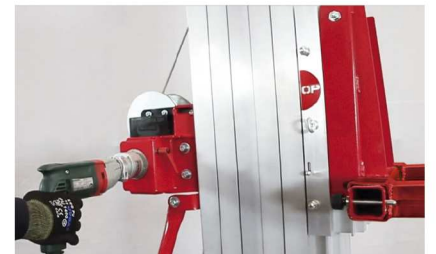
CONTRAPESOS Y BANDEJA COUNTERWEIGHTS & HOLDER



SISTEMA DE ELEVACIÓN ELÉCTRICO ELECTRIC LIFTING SYSTEM

***ELECTRIC**

2 Sistemas en 1 - Manual y Eléctrico
Práctico sistema que permite elevar la carga de manera eléctrica.
2 Systems in 1 - Manual & Electric
Practical system that allows you to raise the load electrically.



*Adaptador no válido para elevadores TORO Serie A

*This adaptor is not suitable for the A-Range towers.

ADAPTADORES PARA VIDRIO ADAPTORS FOR GLASS

Ref. **ACT-08**

Ref. **ACT-10**



VIDRIO
GLASS



CUBRECABLES PARA LOS ELEVADORES TORO CABLE COVER FOR **TORO** LIFTERS

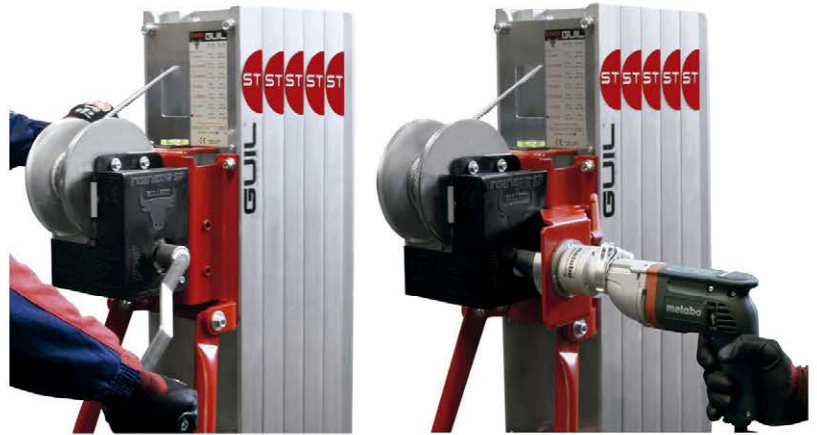


Ref. **CBC**

Electric Lifting System for TORO Lifters (B - C - D Ranges)

Practical and very safe system that gives the option to raise and lower the TORO material lifts electrically (ranges B, C and D); converting the manual towers into electric towers.

The 'ELECTRIC' system is a very useful accessory which allows you to quickly and effortlessly raise the TORO lifters guaranteeing utmost safety at all times.



The accessory is made up of a 750W METABO drill and an adaptor to secure it to the hand winch on the lifter. The adaptor ensures a firm fix of the drill so that the user is not required to hold the drill in place. This detail not only makes it effortless to use but also prevents possible risk of bodily injuries.

The 'ELECTRIC' system is installed quickly and easily and has the following references depending on the tower it will be used with:

- TORO B-Range lifters – ref. ELECTRIC B
- TORO C-Range lifters – ref. ELECTRIC C
- TORO D-Range lifters – ref. ELECTRIC D



NOTE: When this electric system is used the TORO D-Range towers have a maximum load capacity of 350 kg.

APPLICATIONS

GUIL manufactures a wide range of innovative material lifts, adapters and accessories designed to cover the needs for a large variety of applications:

| HVAC

| GLASS

| AWNINGS & SHELTERS

| ROLLER SHUTTERS & BLINDS

| INSTALLATIONS

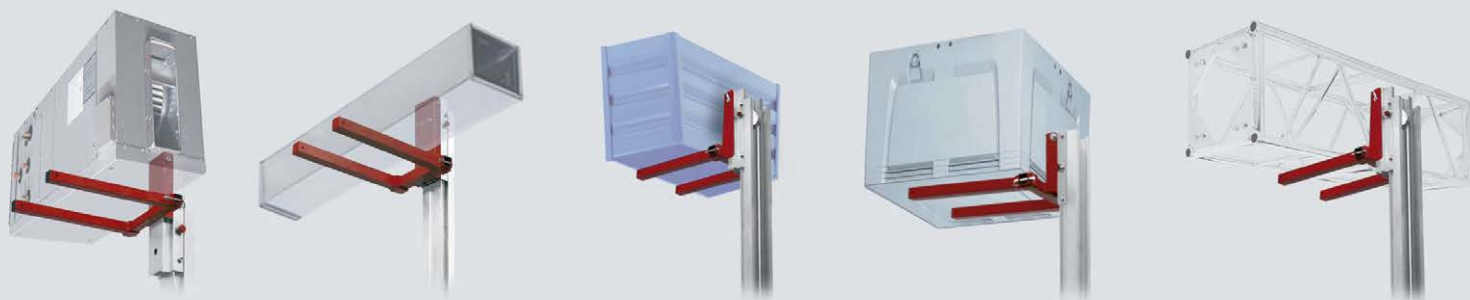
| MAINTENANCE WORK

| PIPING & DUCTS

| METALWORK

| CARPENTRY

| EXHIBITION STANDS



CHOOSE A MODEL & LIFT YOUR LOAD



MADE IN SPAIN
www.guil-lifters.com



P.I. La Creu C/ Ismael Tomás Alacreu, 28-30 - CP 46250 L'Alcúdia (Valencia) SPAIN
Fax +34 962540833 Tel +34 962996500 info@guil.es

GUIL - YOUR EUROPEAN LIFTING TOWER MANUFACTURER

